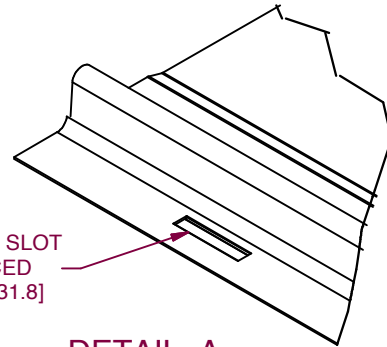
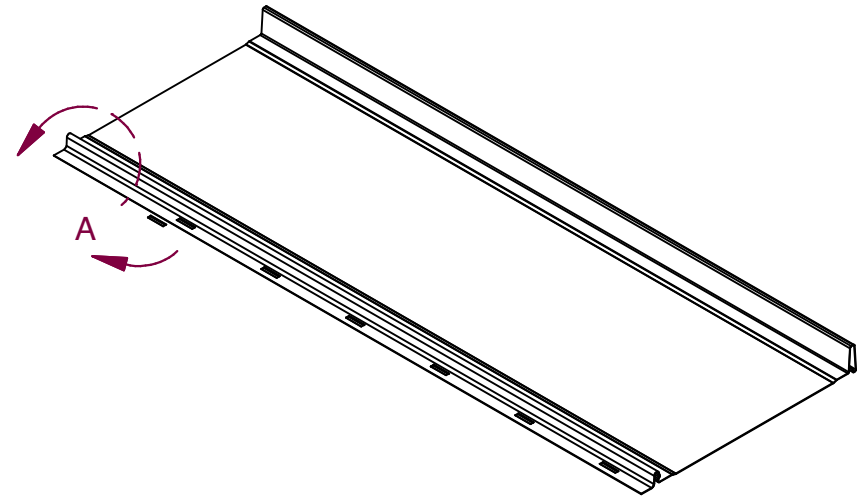


MWI METAL ROOFING INC

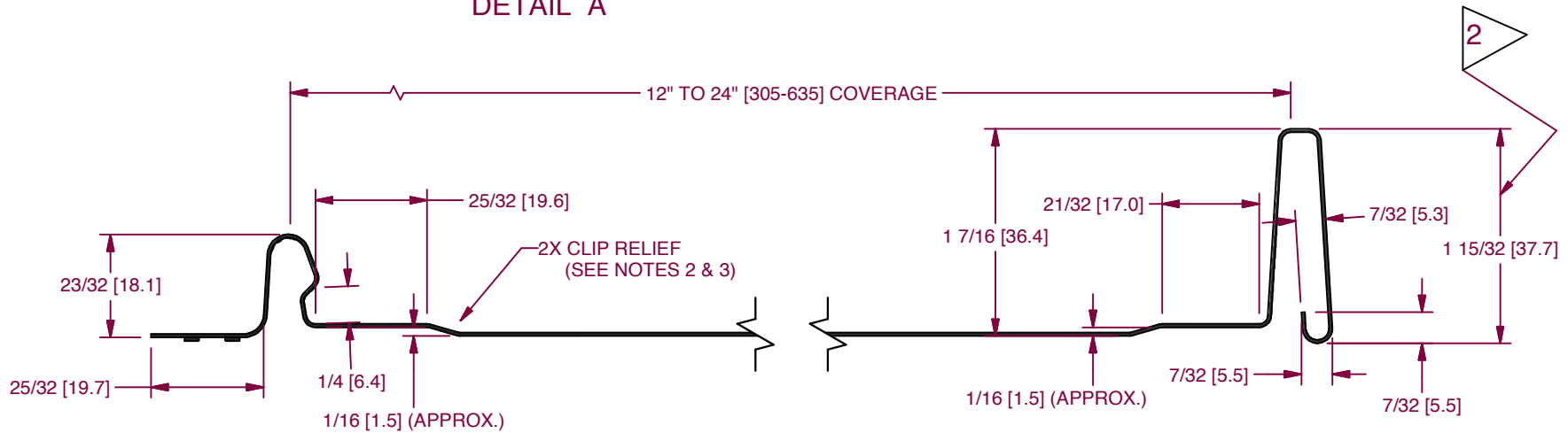
4282 Concession Rd 11, Ramara, Ontario L3V 0L7

Tel: 705-330-7966 www.mwimetalroofing.ca




1" x 1/4" [25.4 x 6.4] SLOT
EQUALLY SPACED
EVERY 5 3/16" [131.8]

DETAIL A



2 INCREASED LENGTH OF LEG
REVISED MATERIAL USAGE

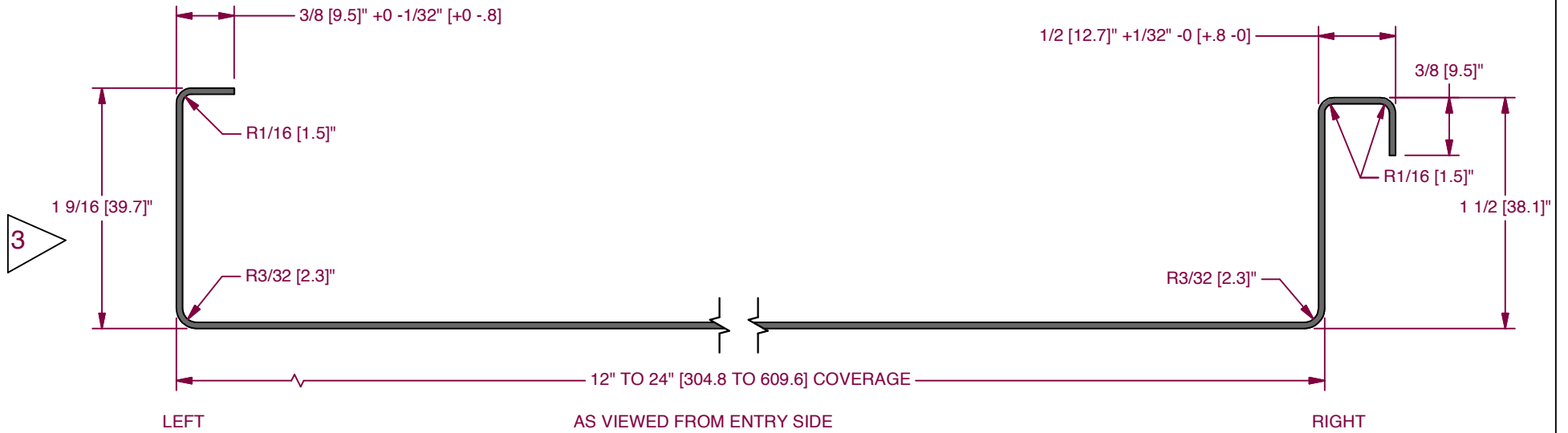
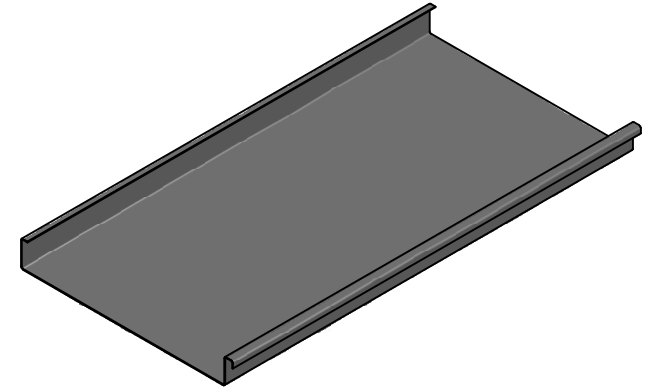
- NOTES:
1. MATERIAL USAGE: 5 5/16"
 2. CLIP RELIEF ROLLERS ARE STANDARD WITH THIS PANEL.
 3. PANEL IS SHOWN WITH CLIP RELIEF ROLLERS ENGAGED.
 4. DUAL DIMENSIONS: Inch [mm]

MATERIAL PAINTED STEEL/PAINTED ALUMINUM/COPPER				FINISH NONE		 MWIMETALROOFING			
REVISION HISTORY	REV	ECR NO.	DATE	RELEASED BY	TOLERANCES			DRAWN BY	PART NAME
	0	TENTATIVE	11/02/2007	UNK	.XX = ` .01	AJB	FF150 PANEL PROFILE		
	1	R-1538	05/21/2008	UNK	.XXX = ` .005	11/02/2007			
	2	R-1796	09/22/2011	BT	FRACTION = ` 1/32"	CHECK BY	PART NUMBER		
					ANGLE = ` 1/2~	BT	FF5-FF5	SHEET	REVISION
						DATE		1 OF 1	2
						09/22/2011			


MWI METAL ROOFING INC

4282 Concession Rd 11, Ramara, Ontario L3V 0L7

Tel: 705-330-7966 www.mwimetalroofing.ca



- NOTES:
 1. MATERIAL USAGE: APPROX. 4" [101.6]
 2. DUAL DIMENSIONS: Inch [mm]

MATERIAL PAINTED STEEL/PAINTED ALUMINUM/COPPER				FINISH NONE		 MWIMETALROOFING		DRAWN BY Jim		PART NAME SS150 PANEL PROFILE	
REVISION HISTORY				TOLERANCES .XX = ` .01 .XXX = ` .005 FRACTION = ` 1/32" ANGLE = ` 1/2~				DATE 06/26/2002		CHECK BY JD	
REV	ECR NO.	DATE	RELEASED BY			DATE 01/17/2008		SHEET 1 OF 1		REVISION 3	
0	REDRAWN	01/17/2008	JD								
1	ADDED R DIM	07/02/2009	JD								
2	ADDED TOL.	07/22/2011	JD								
3	LEG WAS 1"	05/02/2012	JD								